



**caravan mover
fitting and user's manual**

TURBO

A P1 Automatic

M P1 Manual

TURBO function delivers up to 20% more power when it is most needed.

Extra **TURBO** power is available for cumulative 10sec, after which a 100sec cooling-off phase follows. While in this phase - P1 delivers standard power and the **TURBO** function re-charges, which is indicated by the blinking of “%” symbol on the display (steady “%” indicates **TURBO** can be used again).

TURBO boost is activated automatically - its activity is indicated visually and acoustically by the remote controller.

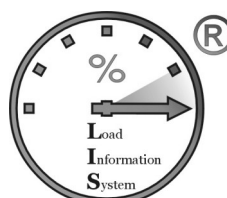
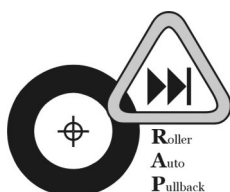


Safety precautions

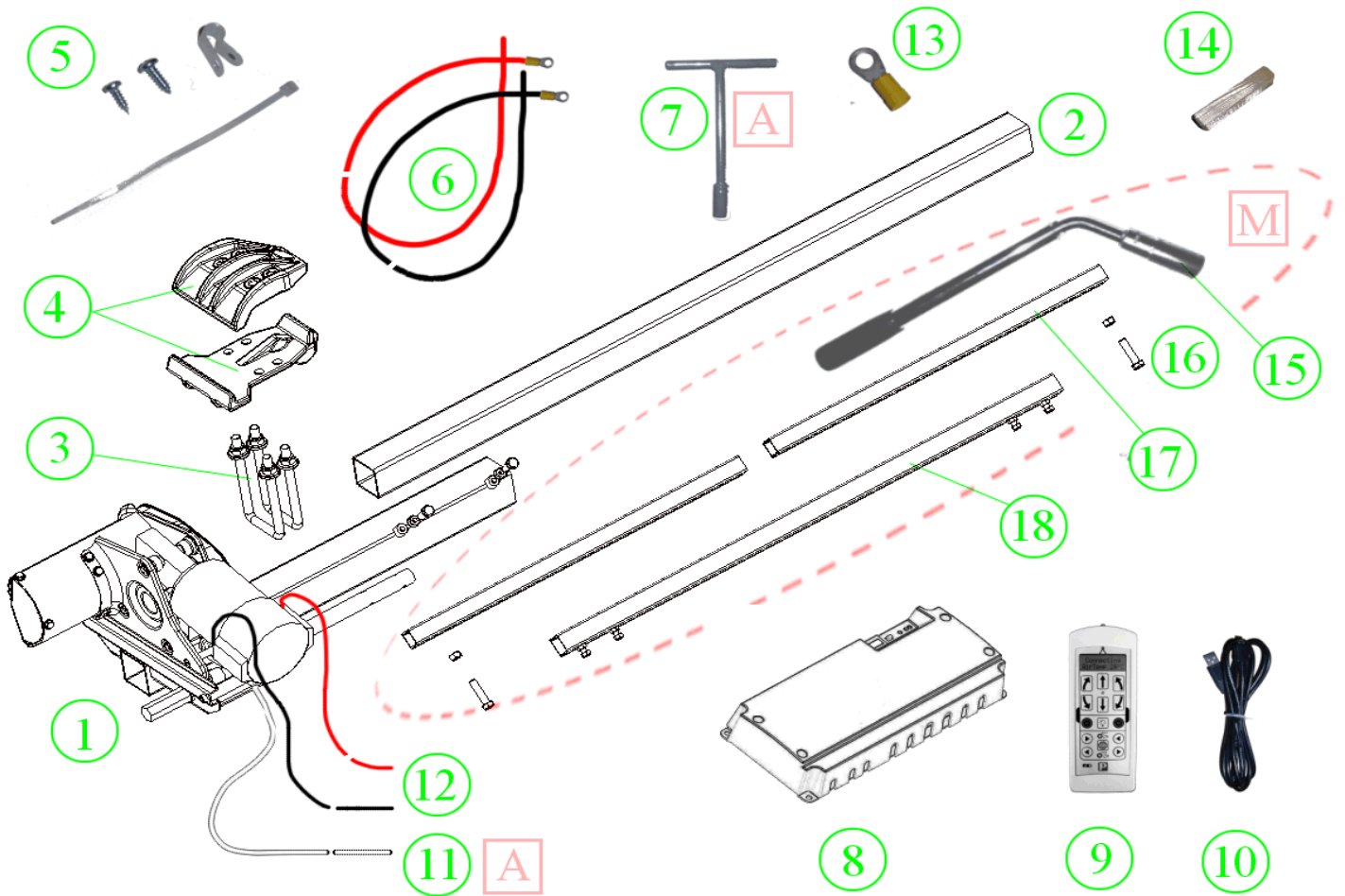


- Read this manual before fitting or first use
- Check the tyres pressure and condition (new tyres recommended)
- Check the chassis is in undamaged, rust-free condition
- Apply caravan hand brake before fitting
- Always apply caravan hand brake prior to disengagement of drive rollers and after the mover operation is complete (you cannot rely on rollers to act as hand break)
- Apply torque settings specified
- Perform a dry run in an open area after fitting to familiarise yourself with mover's operations
- Keep the remote out of reach of children

**Automation
ready**



What's inside the boxes



Description	Quantity	Description	Quantity	Description	Quantity
① drive unit	left and right side	⑦ emergency key	1 [A]	⑬ cable terminals	4
② centre bar	1	⑧ controller	1	⑭ wooden check block	2
③ U-bolt with washers and nuts	4	⑨ remote	1	⑮ 19mm key	1 [M]
④ clamp kit	2	⑩ USB cable	1	⑯ 13mm screw and washer	2 [M]
⑤ fitting kit: p-clips, cable ties, screws	1 kit	⑪ actuator-to-controller 4m cable (2x1mm ²)	1 per side [A]	⑰ extension tube	2 [M]
⑥ battery-to-controller 1.5m cables	black and red	⑫ drive motor-to-controller 4m cables	black and red per side	⑱ cross link tube	1 [M]

[M] Manual only

[A] Automatic only

Technical specs

Model	A (Single Axis) / ATA (Twin Axis)	M (Single Axis) / MTA (Twin Axis)	S (Single Axis) / STA (Twin Axis) [stainless]
Roller engagement system	Automatic (electric)	Manual (mechanical)	Automatic (electric)
Max permissible caravan weight	2450 kg	2250 kg	2450 kg
Straight climb capacity ¹⁾	15% @2450kg	12% @2250kg	15% @2450kg
P1 weight without battery	34.5 kg	36.5 kg	34.5 kg
IP rating	IP55		IP67 (submersible)
Max velocity	appr. 13cm/s		
Max torque (at drive roller)	117Nm (137Nm with TURBO boost active)		
Max power consumption / at standby	120A (150A with TURBO boost active) / less than 20mA		
Radio communication	868MHz bi-directional		

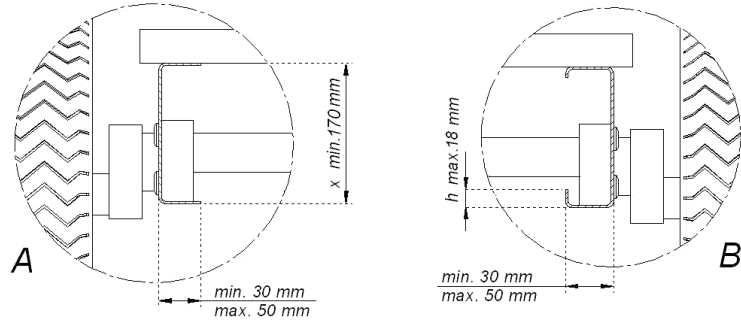
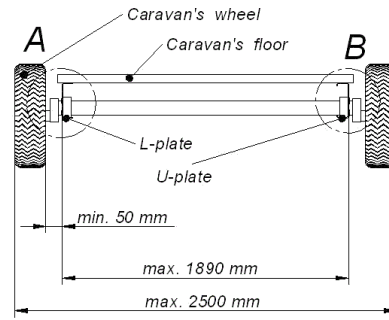
¹⁾ The actual performance may vary depending on individual circumstances. Adverse circumstances, which may lower expected performance, include surface condition (eg. rough or muddy ground), weather (moisture or snow), low battery charge, tyre condition (wear or under-inflation), drive roller normal wear&tear.

Chassis critical dimensions

Standard kit allows fitting to vast majority of caravans available (will fit both L-plate type and U-plate type chassis).

If in any doubt please check that the chassis of your caravan complies with the standard dimensions as shown besides.

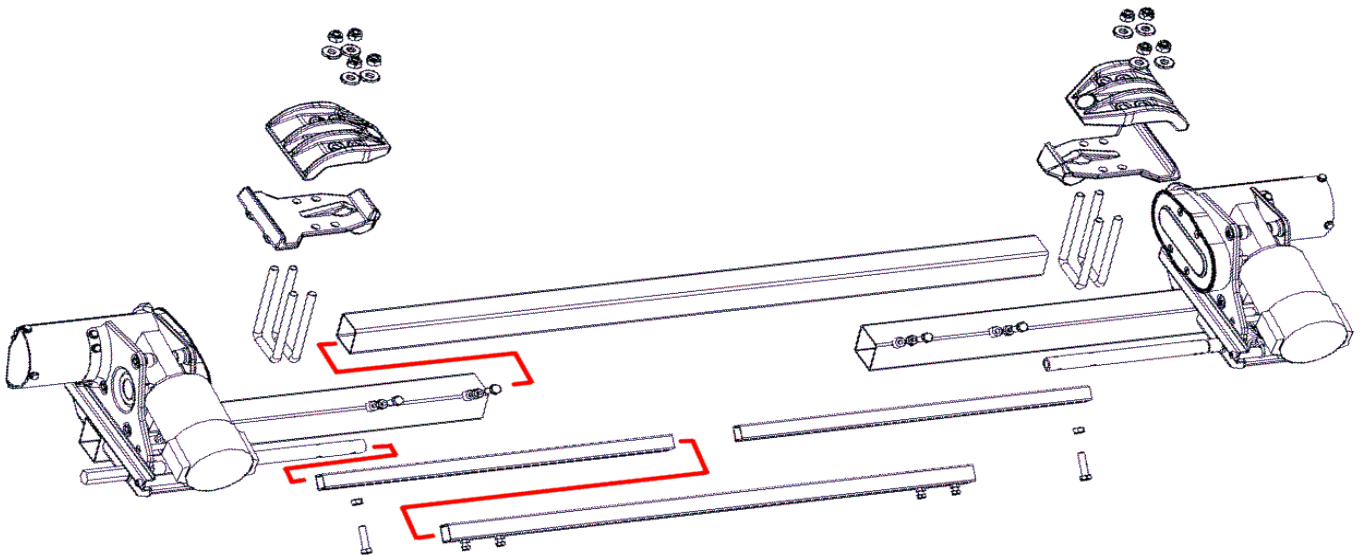
For non-standard caravans special adapters are available – check with your dealer.



Tools needed

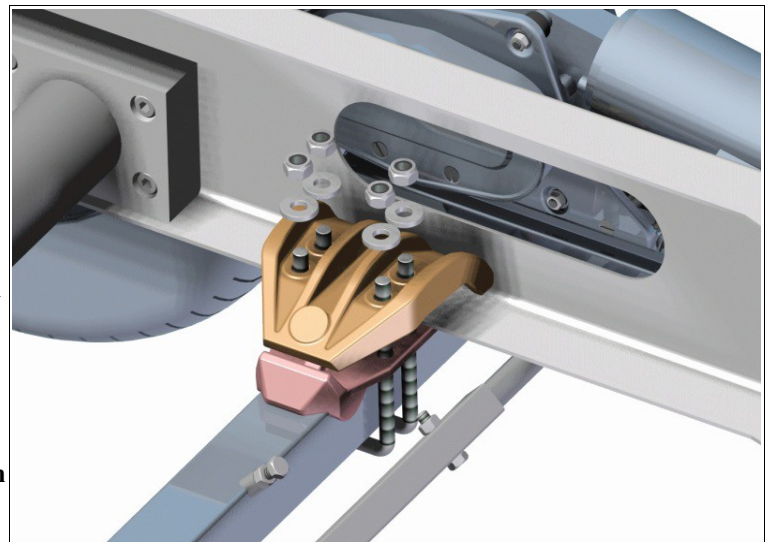
- open-end or ring 10 mm wrench: 2 No
- open-end or ring 13 mm wrench: 2 No
- open-end or ring 17 mm wrench: 1 No
- small pozi/cross screwdriver
- torque wrench
- 6mm² cable crimper

Mechanical assembly order

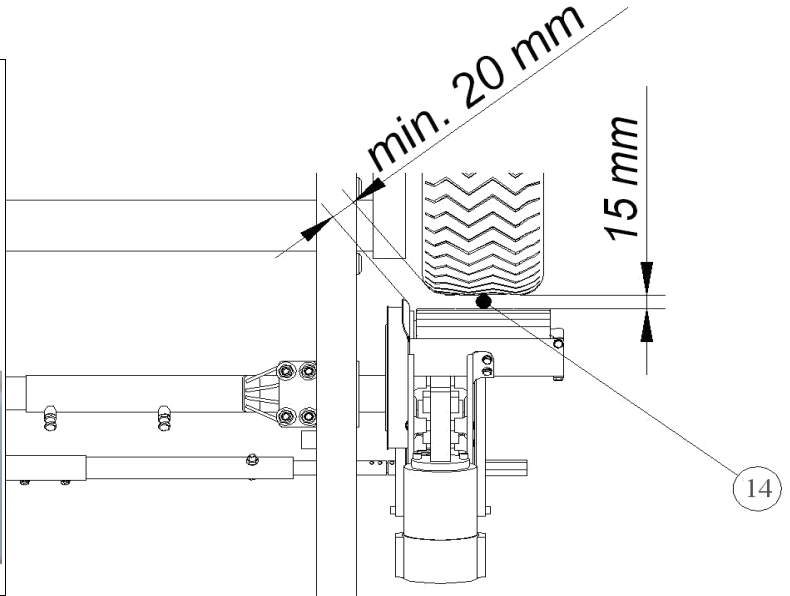
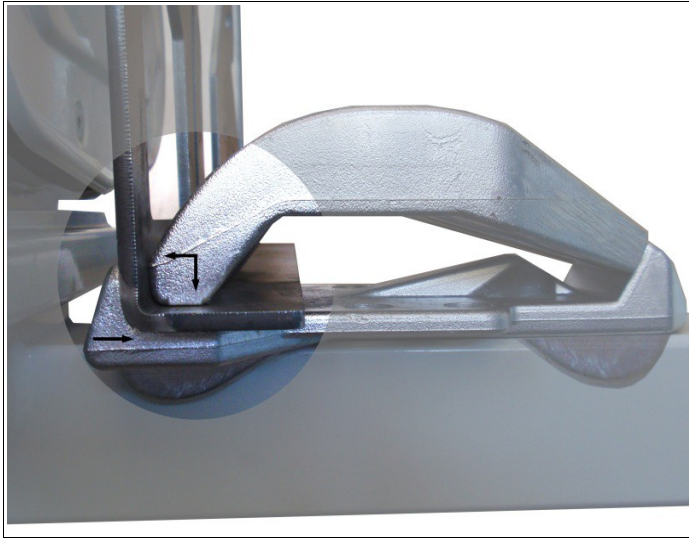


Fitting in front of caravan axle is preferable, however in some cases (e.g. no space) the mover can be fitted behind the axle.

- Put your P1 on a clean flat surface
- Mark a middle point of centre bar (2) with a marker (75cm from either end) and fit it into both drive units (1). Place the P1 underneath the caravan and support it up to caravan chassis
- Remove M10 nylock nuts and washers from U-bolts (3). Place U-bolts through clamps, replace washers and secure loosely with nuts as shown beside. Use a 17mm wrench.
- Align the mover as shown below. Use supplied wooden blocks (14) to determine correct clearance between caravan tyres and drive rollers
- Make sure the clamps are placed in such a way that they touch the chassis walls as shown below. **This is a critical step.**
- Tighten up nylock nuts on clamps to 28Nm with a 17mm wrench. **This is a critical step: make 3 round-checks with torque wrench to ensure correct torque is achieved on all 4 nuts each side (to overcome aluminium limited flexibility)**



- Make sure centre bar (2) is in the middle and tighten up M8 screws (4No) on drive units (1) to 12Nm with a 13mm wrench. Tighten up counter-nuts.



M Loosen M6 screws (with 10mm wrench) on cross link tube (18) and slide extension tubes (17) onto side couplings on drive units. Insert M8 screws (16) through extension tubes and side couplings and tighten nylock nuts to 27 Nm with 13 mm wrenches. Make sure cross link tube (18) is set in the middle and tighten up M6 screws (4No) to 12Nm with a 10mm wrench and secure with counter-nuts.

Electronic control system assembly and operations



Avoid short-circuits! Always secure the positive battery cable with an insulator during fitting.

Connect the positive battery cable (6) red as last cable.

Check Caravan Controller (8) is switched off before fitting.

Rollers must be disengaged during fitting.

Caravan Controller should be installed in a dry place, best inside the caravan, enabling access.

Never shorten/add extra length of aerial (stock length has been tuned for best communication)

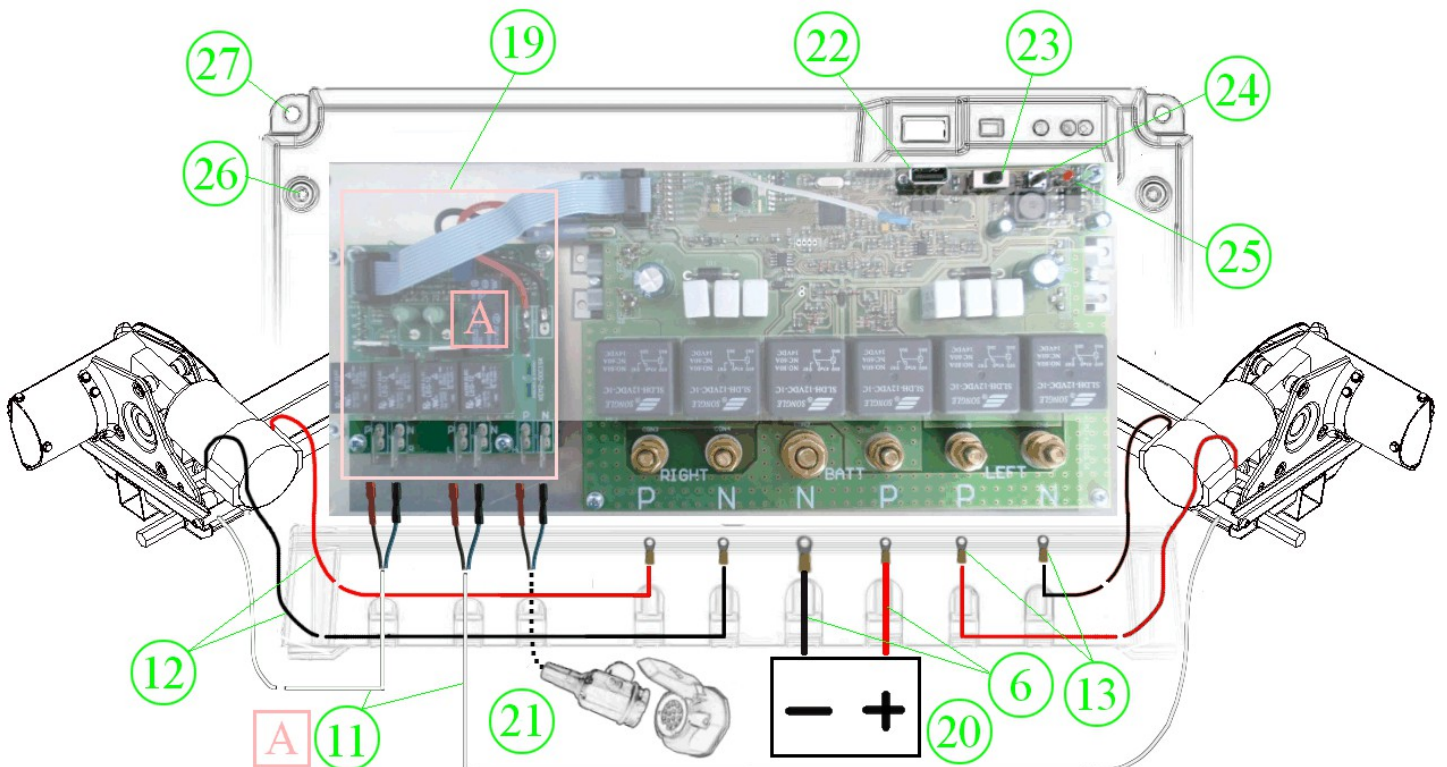


It is recommended to use a battery of minimum capacity of 80 Ah.

Ensure the battery is fully charged before operation.

Mind that all batteries discharge slowly with time on their own.

Procedure



- choose a dry place for Controller (8) to be installed having cables length in mind. Front boot or inside of the caravan at floor level (eg. under bed) is recommended.
- lead cables from left/right motors (12) and the battery (6) (A) and actuators (11) to the area where Controller will be installed. Drill a hole (ID 14mm) in caravan floor if necessary (be careful not to damage installation that may be running under or over the floor; instead of cutting cables to length we recommend leaving the original length and securing the excess with cable ties (in case of transferring the mover to your next – bigger caravan you may need longer cables)
- terminate cables (12) with cable terminals (13)



Ensure cables do not chaff especially when led through caravan`s floor (use protective grommet, tape, tube sleeve or the like if necessary – not supplied). Use p-clips and cable ties to secure cables to underneath the caravan floor.

Leave a length of slack cable by drive motors to allow for rollers` engagement/disengagement movement. Red colour cables denote positive (+) polarity.

- secure Controller (8) in place with screws (supplied) using lug holes (27). Undo 4 screws (26) on top of Controller and remove lid carefully.
- Remove brass nuts and upper washers inside Controller and connect motor cables (12) to respective terminals (red cable to „P” terminal and black cable to „N”). Connect battery cables (6) in the same fashion. Replace washers and tighten nuts to 8Nm.



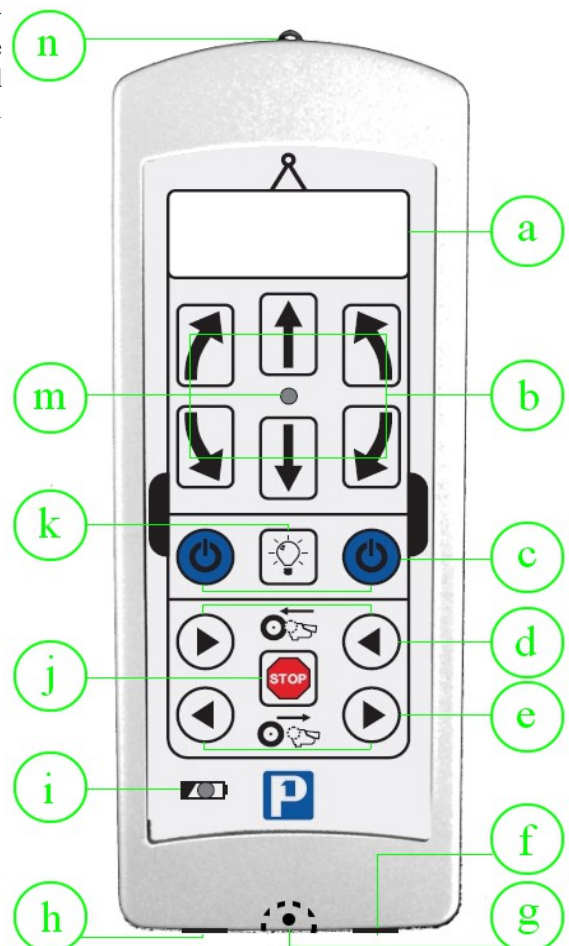
If P1 mover is fitted behind the caravan axle(s) polarity of motor cables (12) must be reversed, ie. black cables connect to „P” (positive) terminals and red cables connect to „N” (negative) terminals on (8).

- (A) connect actuator cables (11) to Roller Control Board (19) (comes pre-fitted on Automatic Model)
- (A) connect Towbar terminals (21) to appropriate pins in caravan plug („N” to ground (-) and „P” to permanent 12V DC (+) supply). Use 2x1mm² cable terminated with spade connectors (not supplied). Check if your caravan plug allows such connection beforehand (most 13-pin Euro plugs do). Terminals are protected against reversed polarity.
- terminate the other ends of battery cables (6) with good quality battery clamps (not supplied)
- connect battery cables (6) to battery (20).
- Switch the system On and check operations of the mover by observing rollers movement (double-check the rollers are disengaged beforehand). (A) check operation of IN/OUT movement of the rollers.
- Replace lid and tighten the 4 screws on Caravan Controller (8)

Remote control operating manual

P1 system utilizes state-of-the-art bi-directional radio control to allow interference-resistant manoeuvring. Remote is equipped with industry-grade back-lit LCD to deliver useful information including innovative mover load status, which helps you determine performance limits of your caravan system.

- (a) LCD display
- (b) drive buttons
- (c) power buttons
- (d) rollers IN buttons (active with (A) only)
- (e) rollers OUT buttons (active with (A) only)
- (f) micro USB socket
- (g) lanyard lug
- (h) thermometer sensor air inlet
- (i) remote battery low/remote charging orange LED
- (j) stop button (active with (A) only)
- (k) flash light button
- (m) remote in range/communication in progress blue LED
- (n) LED flash light



Switching ON/OFF

To activate the system Switch ON power switch (23) on the controller (8). Green LED (25) blinks for 2 sec (internal self-test). Continuous green LED illumination denotes system ready to work. Green LED flashes fast when receiving signal from the Remote.

To switch Remote ON press simultaneously both (c) buttons for 2 sec. Remote switches OFF after 20sec if Controller signal cannot be found or, when connected, if no button has been pressed for 1 min.

LCD info	Description
Connecting AirTemp 22°C	Remote searching for signal. Blue LED (m) flashes. Stays lit up when in connection. Flashes fast when sending or receiving command. If Remote can't connect within 3sec distance may be too long or Controller is switched OFF.

Drive rollers engagement/disengagement



To engage drive rollers use 19mm key (15) and turn protruding hexagonal shaft (on either side of the caravan) in a circular decided swing towards the tyre. Both rollers will engage simultaneously. Full engagement will be confirmed by a audible click at either side. **Double check that the drive unit has been engaged fully to the tyre on the opposite side of the caravan.**

To disengage drive rollers turn protruding hexagonal shaft (on either side of the caravan) in a circular decided reverse swing out of the tyre. Both rollers will disengage simultaneously.



ALWAYS apply caravan handbrake before disengaging rollers

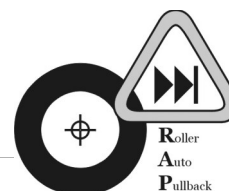
Drive rollers engagement/disengagement



LCD info	Description
>> ● << AirTemp 22°C	Engagement of rollers. Press (and release) both (d) buttons to move rollers IN to the tyres. Rollers will stop as soon as correct individual pressure on tyre is achieved (useful if caravan tyres are not pressurised identically).
<< ● >> AirTemp 22°C	Disengagement of rollers. Press (and release) both (e) buttons to move rollers OUT of the tyres.
STOP ● STOP AirTemp 22°C	Emergency Stop button activated. Press STOP button (j) to interrupt engagement/disengagement process (e.g in case of emergency). Engagement/disengagement of rollers may be continued after 3sec.



ALWAYS apply caravan handbrake before disengaging rollers



Hitch Lock AirTemp 22°C	Roller Auto Pullback System in action: caravan plugged into towbar socket. Rollers disengage automatically (even when mover battery dead or disconnected). Buttons on Remote blocked ⁵⁾
----------------------------	--

⁵⁾ This safety function is active only if Towbar terminals (21) are connected to appropriate pins in caravan plug.



In case of a failure slide rubber grommets off the back of actuators and wind the actuators separately (anti-clockwise) out of the tyres using emergency key (7).

Manoeuvring

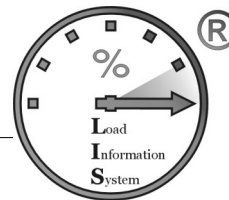
You can manoeuvre your caravan in directions represented by buttons with arrows (b) on Remote. Your caravan can be moved:

	forward right *)		forwards left *)	It is also possible to spin your caravan by means of pushing simultaneously (active with single axis version only):	
	forward		backward		spin right
	backward right **)		backward left **)		spin left

*) press both buttons simultaneously to drive forward **) press both buttons simultaneously to drive backward

Mover Load Information System (LIS)

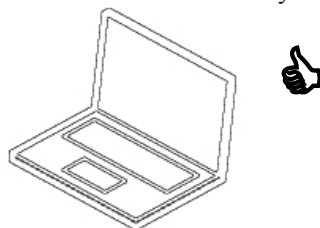
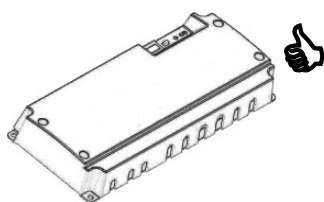
P1 mover features a revolutionary Mover Load Information System. Showing a momentary load value (between 0 and 99%), performance limits of your P1 caravan mover system are always under control.



LCD info	Description
Load: 30% AirTemp 22°C	Remote in connection with Controller. Drive motors load: 30%.
Overload AirTemp 22°C	Load of drive motors beyond system capacity. System inoperational for 4sec (cooling-off period). Red LED (25) on Controller is lit up during overload as well.
+++TURBO+++	Turbo engaged: up to 20% more power available for 10sec (cumulative) every 100sec (time needed to cool down the system). Every time Turbo boost has been used, standard power is available. Function activates automatically.

Mover and Remote battery

Remote is equipped with lithium-ion rechargeable battery. Orange LED (i) flashes when internal battery needs charging. Connect Remote via USB cable (supplied) to Controller or a PC USB socket. Any phone car charger with suitable plug (Micro USB) can be used as well. Orange LED is lit up during charging and goes off when Remote battery full.



Remote informs you when Mover battery is low or dead. The same information is visible on Caravan Controller: red LED is flashing.

LCD info	Description
Load: 30% Battery Low	Mover battery low. System still fully operational for some time (depends on battery nominal capacity, condition, air temperature, caravan load etc). Charge mover battery – performance of P1 may be diminished.
Load: 30% Battery Dead	Mover battery flat. System nonoperational for 3sec. Charge battery asap - prolonged use of flat battery may irreversibly damage it.

Although system is designed to work continuously and Controller on stand-by consumes minimal energy it is advisable to switch it OFF if mover not intended to be used for a longer time (e.g. after holiday). In case of extremely strong radio interference Controller can be cable-operated. Connect Remote with USB cable.

Thermometer/flash light

P1 Remote is equipped with a thermometer and shows external air temperature. The reading is shown for 5 sec after Remote switched ON.

Keep flash light button (k) pressed to switch flash light ON. Flash light has an independent power circuit - works even with Remote switched OFF.

Synchronising Remote with Controller

Your P1 control system comes ready to use. However, you will need to re-synchronise the Remote (9) with Caravan Controller (8) in case of replacing either of them. Synchronising procedure creates a unique connection code assigning the Remote to the particular Controller (which prevents possibility of interference with other movers in the area).

LCD info	Description
PressArrow ver.1.0.0	Synchronising the Remote. Connect Remote with Controller via supplied USB cable (10) and press Sync button (24) for 1sec (use thin-tipped object as the button is recessed). Software version is also shown on LCD.
Sync OK	After pressing any Arrow button (b), synchronising procedure is over. USB cable can be disconnected.

Changing menu language in Remote

Information on LCD screen can be displayed in one of 8 languages (English, Polish, Dutch, German, Danish, Italian, French or Spanish). To change the default language, switch the Remote ON holding Stop button pressed. Using forward or backward buttons choose the desired language. Press STOP button to confirm. This procedure doesn't require the Controller to be switched ON.